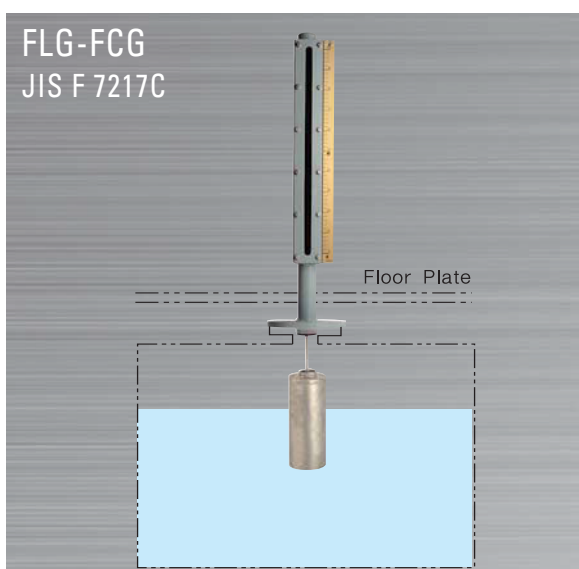
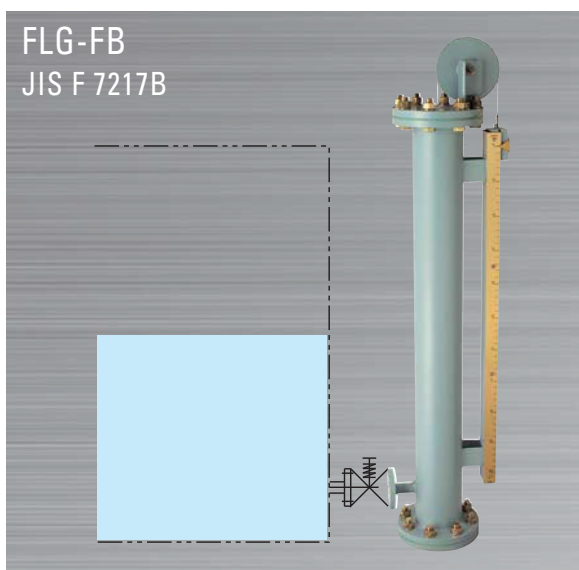
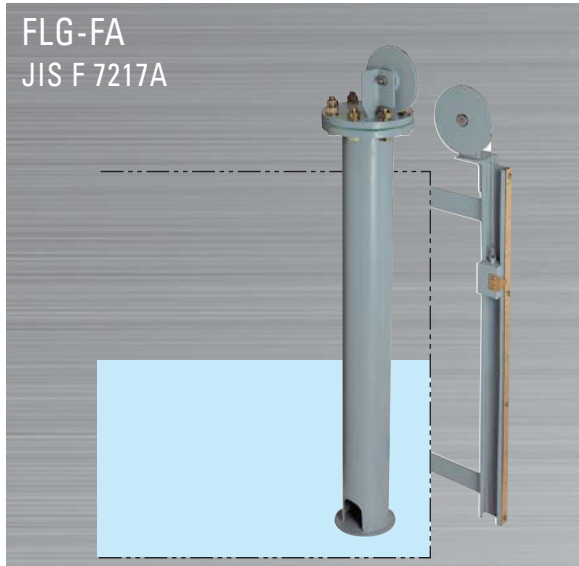


Marine Float Type Level Guage



GENERAL

These float level gauges specified in Japan's Industrial Standard are used for all kinds of tanks in ship.

FEATURE

- FLG-FCG type is a gas tight
- Easy reading
- Easy maintenance
- Exact indication
- Easy installation

Classification

Model	Mounting type	Nominal dia.	Application
FLG-FA-100	Inner balance weight	100	Medium tanks
FLG-FA-150	Inner balance weight	150	Large tanks
FLG-FB-100L FLG-FB-100R	Outer balance weight	100	Large and medium tanks
FLG-FCG-100	Direct acting	100	Removable tanks
FLG-FCG-150	Direct acting	150	Double bottom (Lubricating oil, water)tanks
FLG-FCG-200	Direct acting	200	

Standard model and construction material

Model	Chamber	Float	Sheave	Spindle	Flange	Wire rope	Sight glass
FLG-FA	SGP	SUS304	SS41	N/A	SS41	SUS304	N/A
FLG-FB	SGP	SUS304	SS41	N/A	SS41	SUS304	N/A
FLG-FCG	SGP	SUS304	N/A	SUS304	SS41	N/A	Hard

Operating condition

Model	Working condition		Conn. size	Chamber size	Max. Measuring range at Sp.Gr 0.92
	Press.	Temp.			
FLG-FA-100	Atm.	80°C	5K100A	100A	-
FLG-FA-150	Atm.	80°C	5K150A	150A	-
FLG-FB-100	Atm.	80°C	5K100A	100A	-
FLG-FCG-100	3kg/cm ²	80°C	5K100A	100A	3000m/m
FLG-FCG-150	3kg/cm ²	80°C	5K150A	150A	6000m/m
FLG-FCG-200	3kg/cm ²	80°C	5K200A	200A	10000m/m

- The scale board is an optional item.
- The JIS F 7216 angle valve for FLG-FB is an optional item.