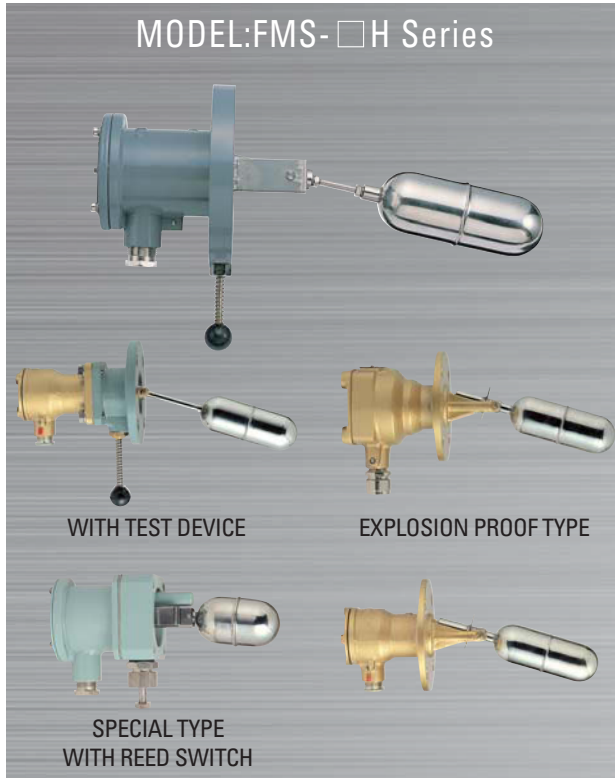


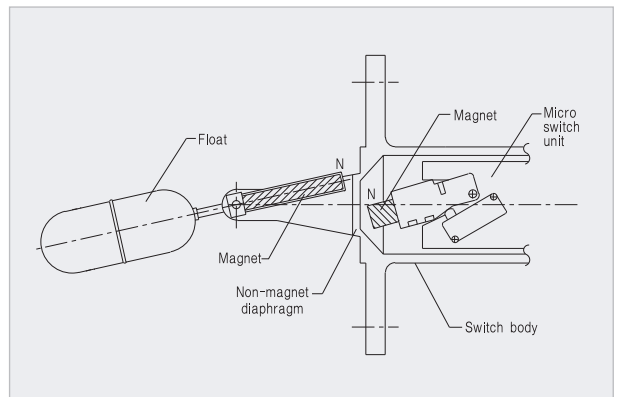
Level Switches

Horizontal Mounted Float Switch



OPERATING PRINCIPLE

Magnetic float type level switches detect the liquid level and send out contact signals of micro switch by ON-OFF action. A magnetic action between two magnet fully separated by each partition wall is utilized. One is built in another end of the float and the other is attached on the switch unit in the housing.



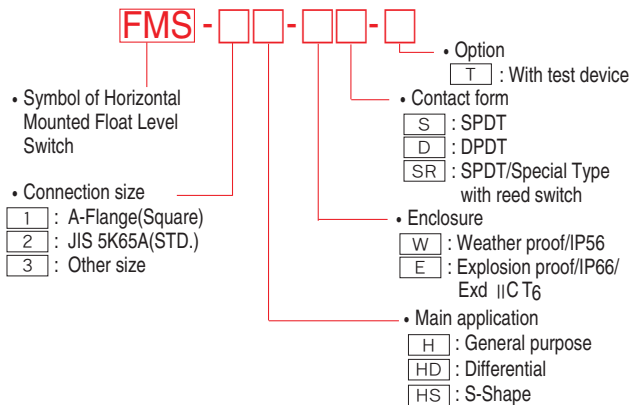
FEATURES

- Fully sealed
- The switch unit is completely separated from the parts inserted within the tank by non-magnetic diaphragm
- Reliable
- Designed compact, it has a large contact rating of 250VAC, 5Amp. and is subject to no troubles.
- Easy maintenance
- Simply designed switch unit for easy maintenance.
- Durable float
- Argon Gas welded stainless steel floats are durable for pressure and temperature.

APPLICATION

Magnetic float type level switches are widely used for Heavy fuel oil tanks, Settling tanks, Sludge tanks, Sewage tanks, Fresh water tanks, Lub. oil tanks, D.O tanks and others.

Model number code system



Standard model and specification

Model	Application	Max. pressure (kg/cm ²)	Max. temperature (°C)	Switch contact rating	Min. Sp.Gr	Cable entry	Material		
							Float	Flange	Switch body
FMS-□H-W□	General liquid	10	180	250VAC,5A	0.65	15b (PF1/2")	SUS304	ALBC 2	ALBC 2
FMS-□HD-W□	Widely Differential	10	180	250VAC,5A	0.8	15b (PF1/2")	SUS304	ALBC 2	ALBC 2
FMS-□HS-W□	Lowest sensing	10	180	250VAC,5A	0.75	15b (PF1/2")	SUS304	ALBC 2	ALBC 2
FMS-□□H-E□	Hazardous area	10	180	250VAC,5A	0.65	NPT1/2"	SUS304	ALBC 2	ALBC 2
FMS-3H-WSR	General liquid	10	120	250VAC,0.5A	0.65	15b (PF1/2")	SUS304	SS41	SS41

■ Optional informations

1. Material(SUS 304, SUS316) for wet parts including float and flange is also available on request.
2. Cable entry of 3/4" (JIS F 20 a, b, or c)is also available on request.
3. Flanges of larger nominal diameter than the standard ones are also available on request.
4. Non-explosion proof models can be used as intrinsically safe type joined with I.S barrier.